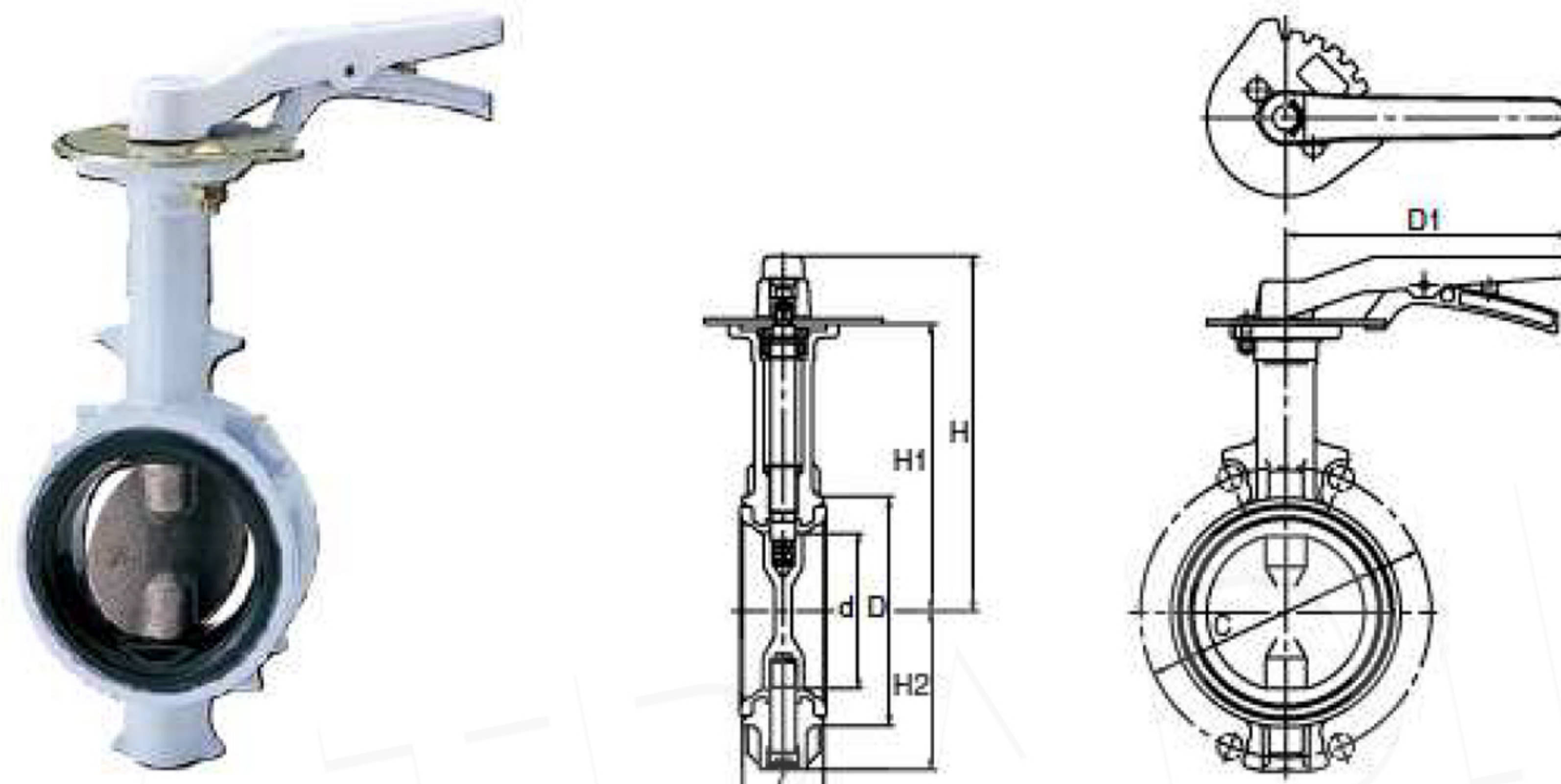


Wafer Type

EN PN16 Design - Lever Operated

PN16DJE



### Dimensions

unit : mm

Size		d	H	H1	H2	L	D	C	D1
mm	inch							PN16	
50	2	50	191	147	67	43	90	125	180
65	2½	65	199	155	75	46	104	145	180
80	3	80	217	173	91	46	124	160	180
100	4	100	227	183	101	52	146	180	180
125	5	125	265	211	127	56	176	210	230
150	6	150	277	223	139	56	205	240	230
200	8	197	295	248	169	60	257	295	350

Disc and seat material coding.